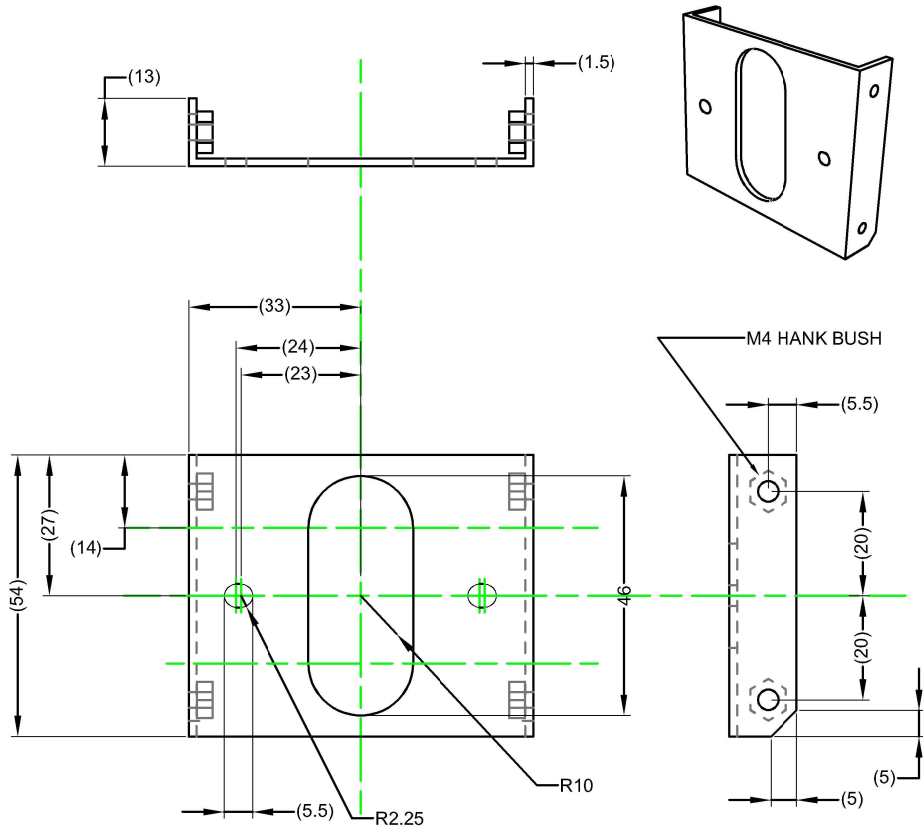


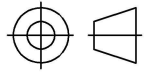
Revision Notes.				
R1 -				
APA: -	Drawn:-	Checked:-	Approved:-	Date:



NOTES:  
 1. MATERIAL 1.5mm THICK 4003 STAINLESS STEEL.  
 2. FINISH: NATURAL.

PROPRIETARY NOTICE  
 THIS DESIGN AND TECHNICAL INFORMATION APPEARING ON THIS DRAWING IS THE PROPERTY OF BRIGADE ELECTRONICS, AND IS DISCLOSED IN CONFIDENCE. IT IS NOT TO BE COPIED, REPRODUCED, REVEALED TO OR EXPROPRIATED BY OTHERS, EITHER IN WHOLE OR IN PART WITHOUT THE EXPRESS WRITTEN CONSENT OF BRIGADE ELECTRONICS.

**BRIGADE®**  
 www.brigade-electronics.com

Assembly Pl Approval S.CROXALL	Approved by L.PILLAY	Checked by S.LAVER	Drawn by S.GOVENDER
Angle of Projection 	Units mm	Scale N/A	Released 18/12/19
	Status RELEASED	BN360-10CC-BKT02A	
	Part No 4700A	BE-004244-00-19	